

MICROPURE[®]

TOTAL HOME ACTIVE AIR PURIFIER

NEW!



TAKE THE SOLUTION TO THE PROBLEM.

The new MicroPure[®] Total Home Active Air Purifier uses a unique indoor air quality process to naturally produce airborne scrubbers that actively seek out and destroy indoor pollutants in the air, on surfaces, and wherever the air goes.

- **Proven effective in the air AND on surfaces!**
- **MX4[™] Ionic Oxidation for active purification throughout all living spaces 24 hours a day.**
- **Ionic air scrubbers destroy indoor contaminants anywhere the air goes!**
- **Eliminates bacteria, mold, viruses, mildew, smoke, odors, VOC's, and more.**
- **Even cleans air that hasn't directly passed through the HVAC system.**
- **Available in 5", 9", and 14" models.**
- **NASA-developed technology for use in the space station.**

Multiple patents pending.

POWERED BY

MX4[™]

IONIC OXIDATION

MX4[™] Ionic Oxidation utilizes propriety metallic technology and UV light energy to naturally produce ionic air scrubbers and destroy many indoor pollutants, such as bacteria, viruses, mold, VOC's, mildew, allergens, and odors.

www.dustfree.com/micropure

 **DUST FREE[®]**
Breathe The Difference.

MICROPURE[®]

TOTAL HOME ACTIVE AIR PURIFIER

The MicroPure[®] Total Home Active Air Purifier installs anywhere in the HVAC system and assists in eliminating indoor contaminants in the air and on surfaces. To ensure maximum effectiveness, install and maintain the MicroPure[®] system in accordance with installation and maintenance instructions.

Dimensions:

5" Model: 6"H x 6"W x 7"L

9" Model: 6"H x 6"W x 11"L

14" Model: 6"H x 6"W x 16.75"L

Mounting plate: 8"H x 8"W

Electrical:

The MicroPure[®] air purifier is available in 24V 50/60Hz and 120V/230V 50/60Hz (auto-switching) power supply models. The unit uses a detachable 9.8 ft power cord.

Weight:

Approximately 2.6lbs - 3lbs.



Output:

5" and 9" Models: 13.3 Watts.

14" Model: 19.2 Watts.

MX4[™] Core Options:

High performance MX4[™] core uses low level ozone within EPA acceptable parts per billion for maximum results. The MX4[™] Lite core is a lower performance core that does not use low level ozone.

Installation:

Includes mounting plate and hardware for quick installation in metal or ductboard duct systems.

Maintenance:

For optimal performance, replace the MX4[™] core every 4 years and the UV lamp every 2 years.

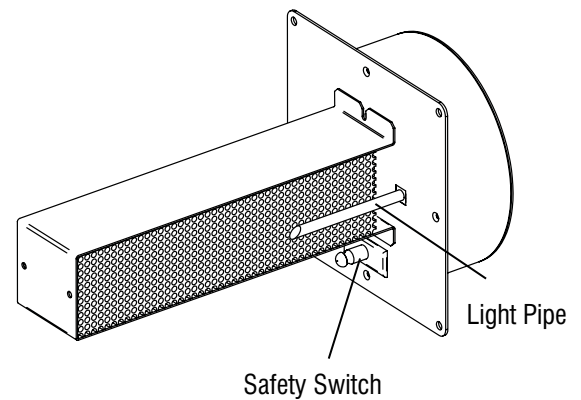
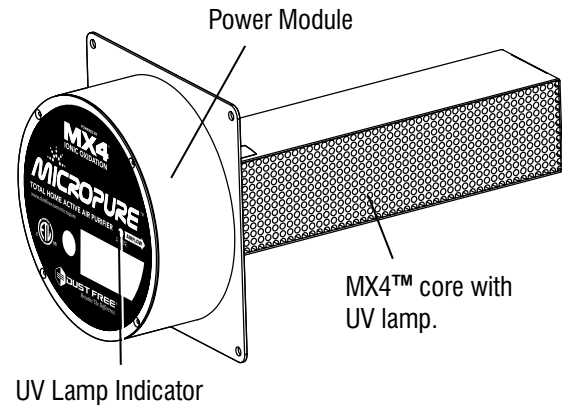
Warranty:

Power Module: 5-yr

MX4[™] Core: 4-yr

UV Lamp: 2-yr

SPECIFICATIONS



Sizing:

5" models suitable for up to 2 ton systems.

9" models suitable for 3-5 ton systems.

14" models suitable for light commercial systems over 5 tons.



PO Box 519 • Royse City, TX 75189

Phone: 1-800-441-1107

Http://www.dustfree.com